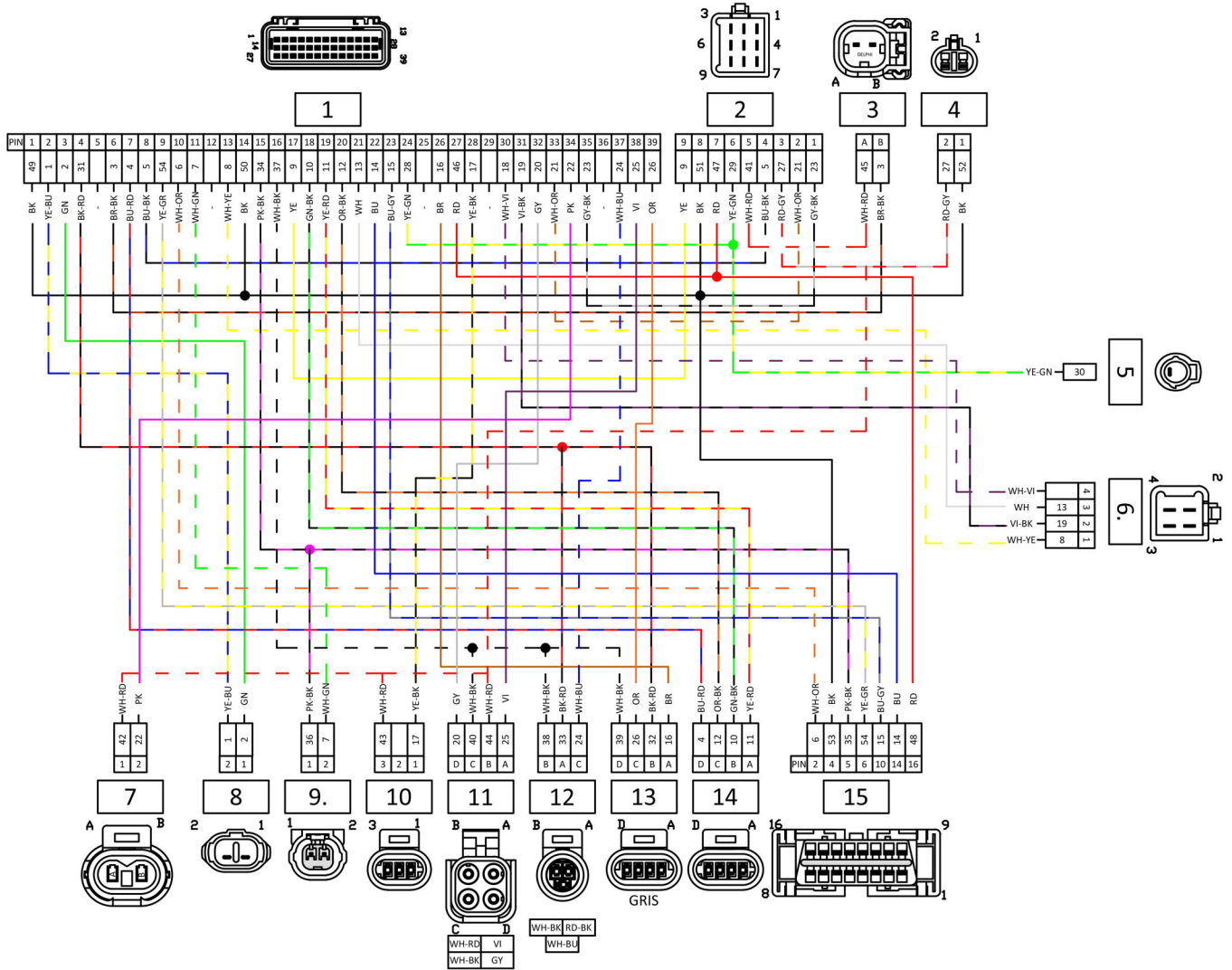


Nº	FUNCTION	Nº	FUNCTION
1	INJECTION RELAY	16	HORN
2	FUEL PUMP RELAY	17	HORN
3	FAN RELAY	18	FUEL LEVEL SENSOR
4	LIGHTS RELAY	19	INJECTION HARNESS INTERFACE(1)
5	INDICATORS RELAY	20	VOLTAGE REGULATOR
6	IGNITION KEY	21	REAR LIGHT
7	DIGITAL DASHBOARD	22	REAR INDICATORS
8	LIGHTS SWITCH	23	REAR LIGHT STOP
9	LIGHTS/NAVIGATION SYSTEM (MIDDLE)	24 A	FUSE BOXES 10 A
10	DIGITAL DASHBOARD	24 B	FUSE BOXES 15 A
11	POWER CUT STARTER BUTTON	24 C	FUSE BOXES 20 A
12	FRONT STOP	25	POSITIVE BATTERY SIDE
13	FRONT INDICATORS	26	BATTERY GROUND SIDE
14A	RIGHT RADIATOR FANS	27	STARTER RELAY
14B	LEFT RADIATOR FANS	28	ENGINE STATOR
15	FANS DIODE CABLE	29	INJECTION HARNESS INTERFACE(1)

COLOR CODE	
YE	YELLOW
RD	RED
BK	BLACK
BU	BLUE
BR	BROWN
GN	GREEN
VI	VIOLET
WH	WHITE
GY	GREY
PK	PINK
OR	ORANGE



Nº	FUNCTION	Nº	FUNCTION
1	ECU CONNECTOR	9	ENGINE TEMPERATURE SENSOR
2	ELECTRICAL HARNESS INTERFACE (1)	10	IGNITION OIL
3	INJECTOR	11	O2 SENSOR
4	FUEL PUMP	12	TPS SENSOR
5	NEUTRAL POSITION SENSOR	13	MAP/MAT SENSOR
6	ELECTRICAL HARNESS INTERFACE (2)	14	STEPPER SENSOR
7	PURGE VALVE	15	OBD II DIAGNOSTIC CONTROL
8	CRANKSHAFT POSITION SENSOR		

COLOR CODE	
YE	YELLOW
RD	RED
BK	BLACK
BU	BLUE
BR	BROWN
GN	GREEN
VI	VIOLET
WH	WHITE
GY	GREY
PK	PINK
OR	ORANGE